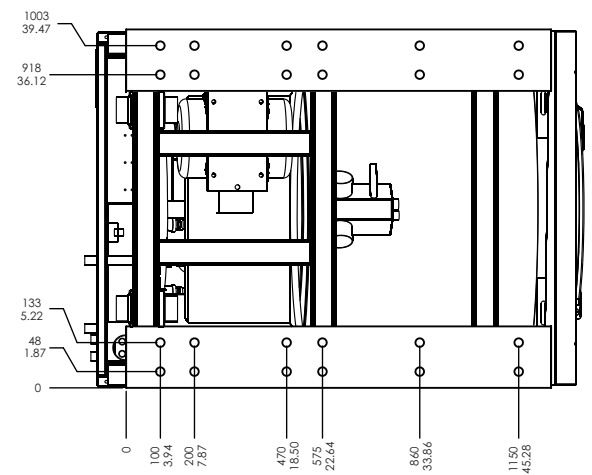
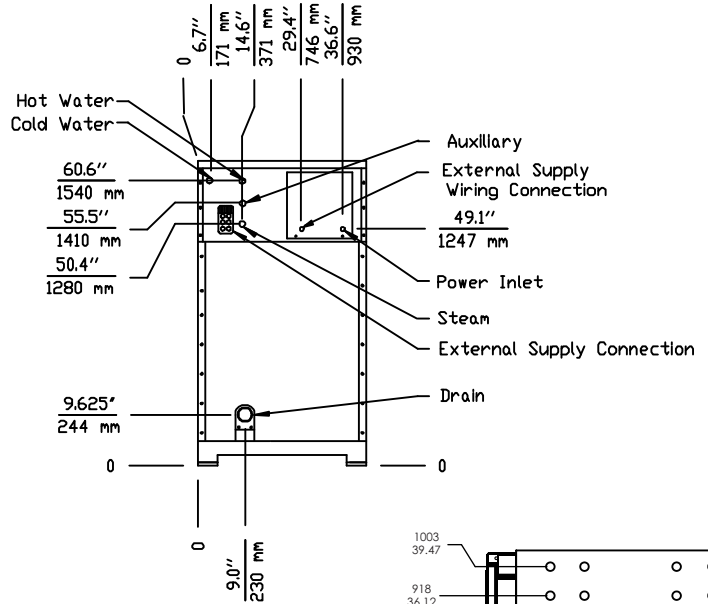
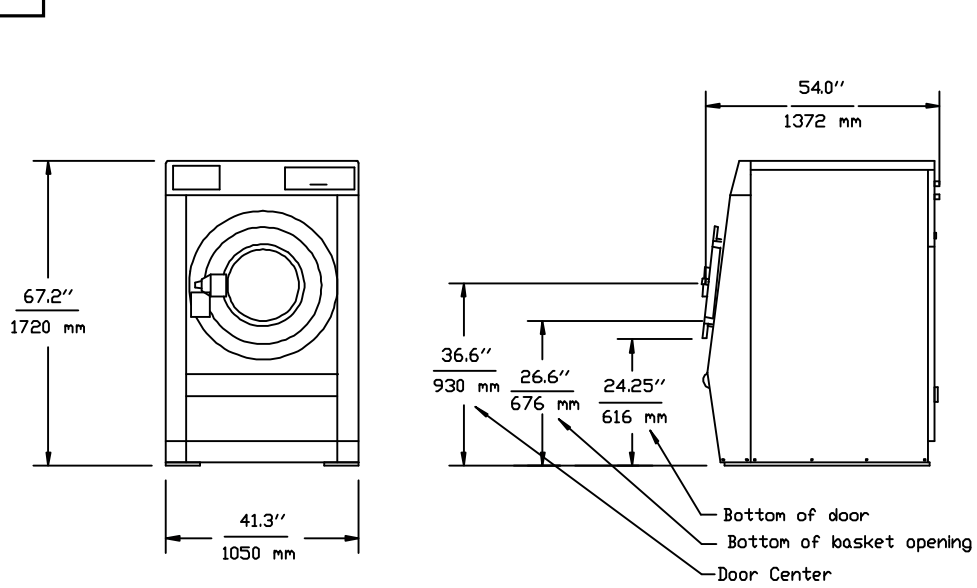


A



MOUNTING BOLT DETAIL

Foundation details are in the HE Series Installation & Operation Manual

Electrical Requirements

Voltage	Phase	System Wire	Wire Size	Amps	Breaker
208-240VAC, 50/60Hz, 1PH	1	2 + GND	10	31	40
208-240VAC, 50/60Hz, 3PH	3	3 + GND	14	18	20
380-460VAC, 50/60Hz, 3PH	3	3 + GND	14	9	15
208-240VAC, 50/60Hz, 3PH Elec. Heat	3	3 + GND	3	80	100
380-460VAC, 50/60Hz, 3PH Elec. Heat	3	3 + GND	8	40	50

Drain Requirements

Connection Size		Discharge Rate		Min Sewer Line	
inches	mm	gal/min	liters/min	inches	mm
3	76	86	326	4	102

Water Requirements

Connection Size		Line Pressure		Max Temp		(@45PSI/3Bar)		Line Size		Pressure	
US	Metric	PSI	Bar	F	C	gal/min	liter/min	US	Metric	US	Metric
1"	DN 25	30-75	2-5	200	93	80	303	1	DN 25	125 PSI	8 Bar

Steam Requirements


Steam				Minimum Supply Line Size		Max Operating Pressure	
Connection Size		Line Pressure		US	Metric	US	Metric
US	Metric	PSI	Bar	US	Metric	US	Metric
3/4"	DN 19	30-75	2-5	3/4"	DN 19	100 PSI	6 Bar

Dynamic Load Specifications

Static Load		Dynamic Load		Dynamic Frequency
lbs	kN	lbs	kN	Hz
3152	14.02	4047	18	10.4

Shipping Data

Type	lbs	kg	cu ft	cu m
Domestic	2250	1023	94.5	2.7
Export	2370	1077	94.5	2.7

REV A1	BY AFA	DATE 9-30-2013	REV. DESCRIPTION Created
DRAWN BY A. Adcock		DATE 9-30-2013	 Panama City, FL Phone: 850-249-2222 Fax: 850-249-2226 www.bandctech.com
CHECKED BY S. Brown		DATE 9-30-2013	
DESCRIPTION General Technical Specifications HE-110			
DATE 9-30-2013	FILE NAME HE-110GenSpec.cdr	SHEET 1 OF 1	